



# WRAPAROUND LIGHT

## WRL Series

### ■ ADVANTAGE

- Wattage switchable : 15W/20W/24W (2ft)  
30W/35W/40W (4ft) 64W/75W/90W (8ft)
- CCT switchable: 3500K/4000K/5000K
- 0-10 V dimmable
- CRI >80, PF >0.9
- Input voltage: AC100-277V
- Lumen: 135Lm/W
- Long lifespan and reliable
- DLC 5.1 premium & ETL certified



### ■ DETAILS

#### Features

- Outstanding thermal solution to support better heat dissipation.
- PMMA Lens to maximize light output and distribution.
- High-density LEDs for uniform light output.
- Wattage and CCT switchable through dip-switches.

#### Installations

- Suspend the wraparound light by using suspension wire.
- Can be surface mounted to walls and ceilings.

#### Application

- perfect for garages, office, workshops, utility rooms, storage rooms, equipment rooms, etc.

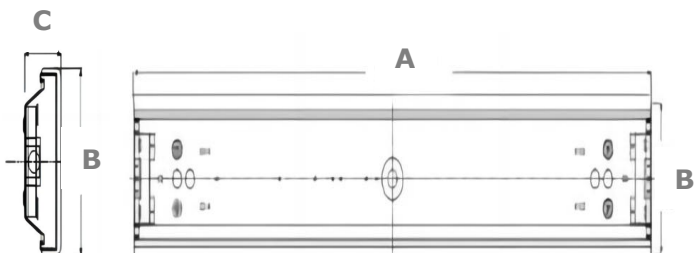
#### Certifications

- DLC premium.
- Comply with the requirements of the Standard(s) for Luminaires and are identified with the cETL Listed Mark.

#### Accessories

- Emergency battery , motion sensor, surface mounted kits for option.

### ■ DIMENSIONS



SIZE	A (inch)	B (inch)	C (inch)
2ft	24.10"	7.09"	2.90"
4ft	47.71"	7.09"	2.90"
8ft	94.42"	7.09"	2.90"

# WRAPAROUND LIGHT

## ■ SPECIFICATION

	MODEL	SIZE	WATT	CCT	LUMEN	EFFICACY
<input type="checkbox"/>	WR2FT152024W-3545K	2ft	15W/20W/24W	3500K/4000K/5000K switchable	1950Lm 2600Lm 3120Lm	130Lm/W
<input type="checkbox"/>	WR4FT303540W-3545K	4ft	30W/35W/40W switchable	3500K/4000K/5000K switchable	3900Lm 4550Lm 6500Lm	130Lm/W
<input type="checkbox"/>	WR8FT647590W-3545K	8ft	64W/75W/90W switchable	3500K/4000K/5000K switchable	3900Lm 4550Lm 6500Lm	130Lm/W

## ■ ACCESSORIES (order separately)

- |   |  |
|---|--|
| <input type="checkbox"/> Emergency Battery      | <input type="checkbox"/> Motion Sensor     |
| <input type="checkbox"/> Suspension Mounted Kit | <input type="checkbox"/> Remote Controller |



### Emergency Battery

- UL listed approved
- Emergency power: 20W
- Charging time: 24 hours
- Illumination time: 90 minutes



### Motion Battery

- Output Dimming: 0-10V
- Max Installation height: 40ft
- Microwave, Bi-level sensor
- Detection Distance: 26ft



### Remote Controller

- LCD screen display
- Memory and apply function
- Universal smart controller for dimmable sensor



### Suspension Mounted Kit

- For suspending the Highbay
- Material: stainless steel

## ■ PACKING INFO

SIZE	4PCS/CARTON			CONTAINER		
	DIMENSION(INCH)	N.W(LBS)	G.W(LBS)	20'GP(PCS)	40'GP(PCS)	40HQ(PCS)
4ft	49.21"x8.27"x12.99"	22.49	25.57	1600	3300	3500

# WRAPAROUND LIGHT

## ■ INSTALLATIONS

### ❖ Surface Mounting

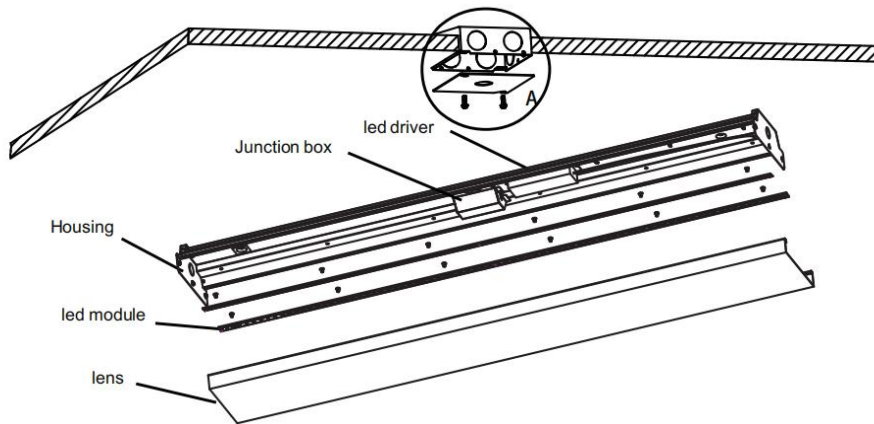


Figure 1  
Concealed outlet box

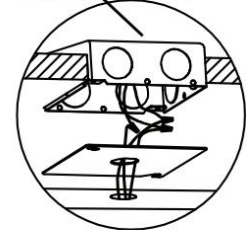
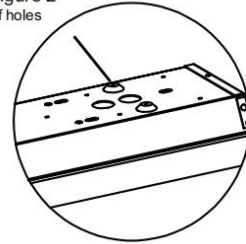


Figure 2  
Knock-off holes



**Step1.**Remove product from packaging.

**Step2.**Remove lens by pulling from one side of the fixture and hinge on the other.

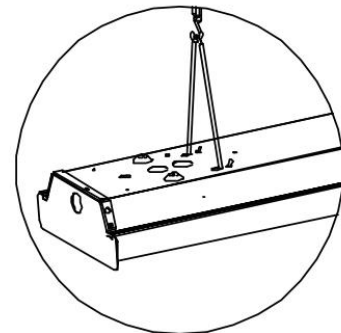
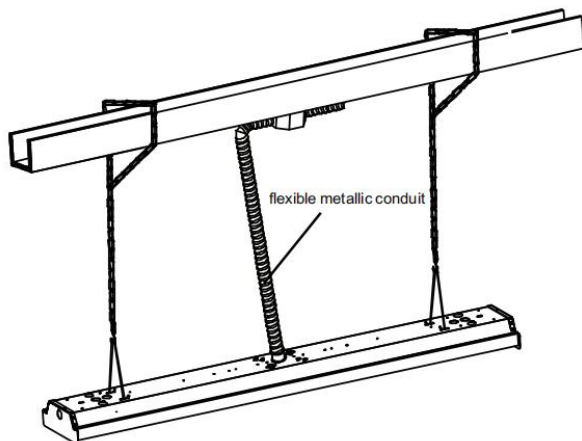
**Step3.**For mounting, using the provided mounting holes on each end of the fixture housing.

**Step4.**Make electrical connections according to code.

**Step5.**Install channel cover.

**Step6.**Install lens on one side of the fixture and rotate to engage the opposite side.

### ❖ Surface Mounting



**Step1.**Remove product from packaging.

**Step2.**Remove lens by pulling from one side of the fixture and hinge on the other.

**Step3.**For mounting, using the provided mounting holes on each end of the fixture housing.

**Step4.**Make electrical connections according to code.

**Step5.**Install channel cover.

**Step6.**Install lens on one side of the fixture and rotate to engage the opposite side.