

LED DOWN LIGHT

Wattages: 15W

LED Down Light can be widely used in indoor lighting (Damp location) suitable for office, indoor playground, hotel, shop, indoor entertainment places, and other indoor place.



TIME SWITCH
5MIN (FACTORY SETTINGS)



PIR SENSOR
(Standard)



CCT SWITCH
4000K (FACTORY SETTINGS)



D556-90-CCT-WH-MS

D236D-90-CCT-WH



Features

- Energy efficient: save up to 80% in energy costs
- High lumen output
- Mercury-free
- Instant-on light
- 50,000 hours at 70% lumen maintenance rated life
- CCT:2700-5000K
- PIR Sensor Function Available
- 5 years manufacturer warranty
- Compatible with most Lutron and Leviton dimmers



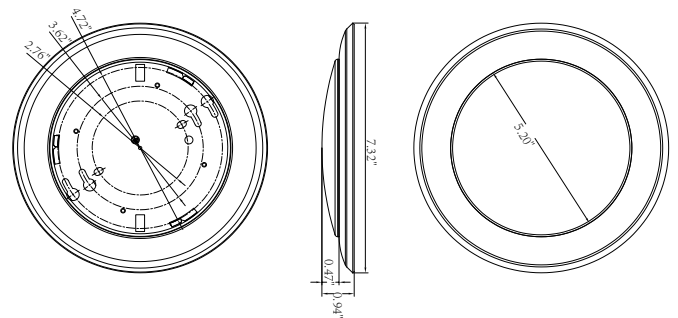
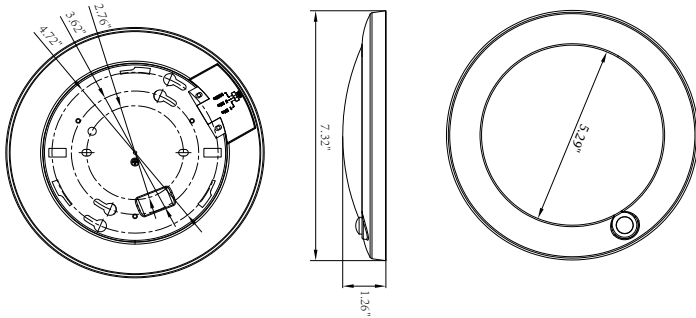
SPECIFICATION

	D556-90-CCT-WH-MS	D236D-90-CCT-WH
TYPE	D556-90-CCT-WH-MS	D236D-90-CCT-WH
WATTAGE	15W	15W
LUMEN	1135.9 lm	1218.3 lm
EFFICACY	> 75 lm/W	> 80 lm/W
CCT	2700K,3000K,3500K,4000K,5000K	
CRI	> 90	
INPUT VOLTAGE	AC120V	
LIGHTING ANGLE	114	
DIMMABLE	Non-dimmable	
LED TYPE	SMD2835	
CERTIFICATE	UL,Energy Star	UL,Energy Star,FCC,Lighting Facts
TIME ADJUSTABLE	1min/5min/10min	none
DESCRIPTION	PIR Sensor and CCT Adjustable (5-6")	CCT Adjustable (5-6")
LIFE TIME	50000 hours	
WARRANTY	5 year limited	

LED DOWN LIGHT

Wattages: 15W

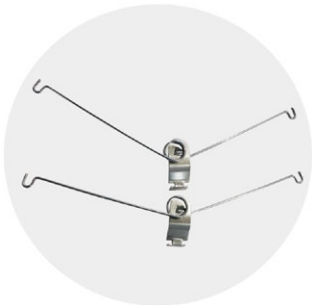
DIMENSION



WATTAGE	D556-90-CCT-WH-MS
NT. WEIGHT	0.73 lbs
BOX DIM.	15.75" x 13.07" x 8.07" (12 pcs)

WATTAGE	D236D-90-CCT-WH
NT. WEIGHT	0.57 lbs
BOX DIM.	15.75" x 12.60" x 8.07" (12 pcs)

STANDARD ACCESSORIES



SPRING CARD BUCKLE



INSTALL SCREWS AND TERMINALS



E27 LAMP HOLDER

ORDERING INFORMATION

EXAMPLE:

D556-90-CCT-WH-MS/D236D-90-CCT-WH

D	556	90	CCT	WH	MS
PRODUCT	NUMBER	CRI	CCT	FINISH	CONTROL
D LED DOWN LIGHT	556 - (556) 236 - (236)	90 CRI=90	CCT CCT Adjustable	WH - (White)	MS - (PRI Sensor)

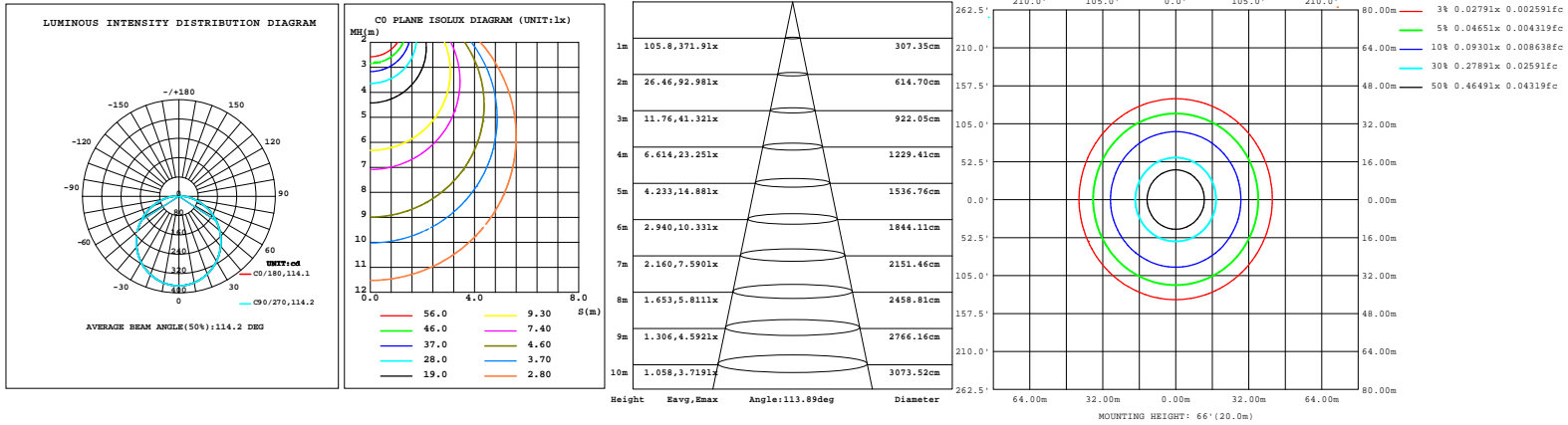
LED DOWN LIGHT

Wattages: 15W

PHOTOMETRICS

For complete IES files, please visit our website.

D556-90-CCT-WH-MS



D236D-90-CCT-WH

