

5CCT Selectable 6Inch 12W LED Slim Panel Light Specifications

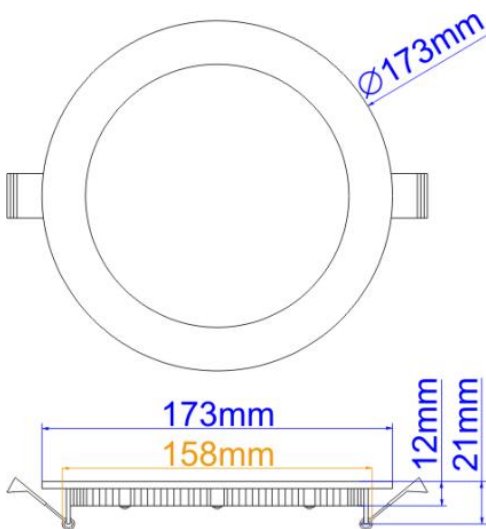
Description

6" Slim LED Panel Light comes complete with an external driver in a junction box. Commercial grade quality with architectural design.

Features and Benefits

- **1/2" Thin:** Fits in Tight Ceiling Space.
- **Air Tight & IC Rated**
- **Voltage :** AC100-130V Triac Dimmable.
- **Junction Box Included:** No additional hardware required
- **5CCT Selectable :**
one fixture have 27K/30K/40K/50K/60K for choice
- **Trim Color:** White / Black / Brush Nickel trim cover
- **ETL-listed:** reliable quality and safe operation.
- Suitable for damp locations.
- **Fast & Easy Installation:** Save labor cost.

Dimension Drawing



Unit: mm

Item No. : JXL-TZ06-T12W-5CCT-XX



Trim Color



Input Power	12W
Input Voltage:	120V AC, 50/60HZ
Lumen	1000-1100LM
Halogen Equivalent	90W
Efficiency	75LM/W
CRI	>82Ra (CRI 90 for option)
Power Factor	0.95
LED Chip	SMD2835 (0.5W/pc)
Beam Angle	110°
Color Temperature	5CCT Tunable 27K/30K/40K/50K/60K
Dimension	φ173*21mm
Cutout Size	φ158mm
Dimming	Triac dimming 5-100%
Approved Locations	Insulated ceilings
Air Tight	Yes
Lamp Life	70% light output at 50000hrs
Certification	ETL , cETL
Warranty	5 years
Qty/ Ctn	20pcs/ ctn
Ctn Size	30*39.5*37cm
Gross Weight	10.5KG

Great Features and Benefits

- **Appearance:** Patent design, with unique appearance, easier for marketing.
- **Body:** Durable, die cast aluminum alloy for optimal heat dissipation .
- **Paint:** White, Nicel and Black for choice--Scratch resistant and smooth finish
- **LEDs:** LM80 San'an 2835 LED (0.5W/pc), which guaranteed high lumen and high quality
- **Driver:** Isolated LED driver with 5 years warranty.
- **Junction Box:** Included, install directly in Insulated Ceilings (IC) without any thermal housing.

Compatible Dimmers

- **Lutron :** CTCL-153P / DVCL-153P / S-600P / SLV-600P / CN-600P
- **Levetion :** 6674 /6672

Installation:

1.Cut a 6.25inch diameter hole



2.Connect the wires accordingly



3.Connect the LED panel to the driver



4.Insert the light into the ceiling



2700K/3000K/3500K/4000K/5000K
CCT SELECTABLE

