

LED Linear High Bay Series



Wattage: 85W, 130W, 170W, 255W, 300W

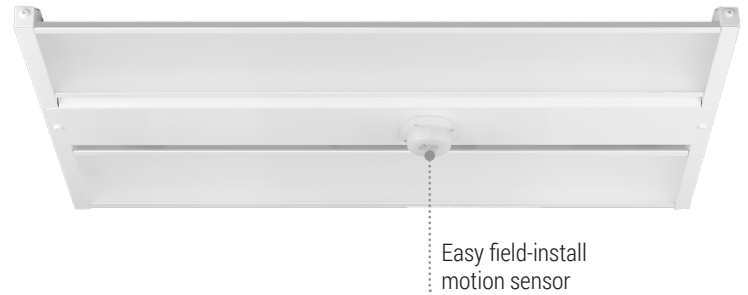


The Linear High Bay with its all-in-one, lightweight and slim with multiple mounting situations available put it at the top of the list for any high ceiling area where super bright light is needed. The LED Linear High bay Light Series can be widely used for indoor excellent for offices, hallways, multipurpose rooms, office buildings, conference rooms, super market, store and many other applications.



FEATURES

- Optical design, greatly improved the light utilization an evenness.
- High efficiency LED Driver, voltage AC120-277.
- Sheet iron design, better cooling, light quality, LED Tj < 85°C.
- The 0-10V Dimming type is continuous.
- 0-10V will be dim to 0%.



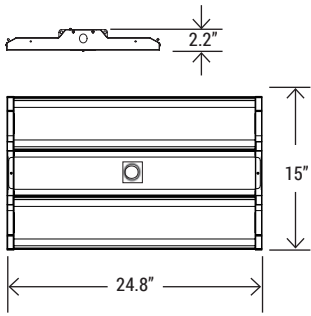
SPECIFICATION

	85W	130W	170W	255W	300W
WATTAGE	85W	130W	170W	255W	300W
LUMEN	11560 lm	17680 lm	23120 lm	34680 lm	40800 lm
EFFICACY	136 lm/W	136 lm/W	136 lm/W	136 lm/W	136 lm/W
CCT	3500K, 4000K, 5000K				
CRI	80				
INPUT VOLTAGE	AC120-277V				
LIGHT ANGLE	105°				
POWER FACTOR	0.98				
DRIVER EFFICACY	90%				
DIMMING	0-10V will be dim to 0%				
LIFE SPAN	over 50,000 hrs				
WORKING TEMPERATURE	-22°F ~ 113°F				
STORAGE TEMPERATURE	-40°F ~ 176°F				
PROTECTION LEVEL	Dry location				
CABLE	Input connect, No cable				
WARRANTY	5 year limited				

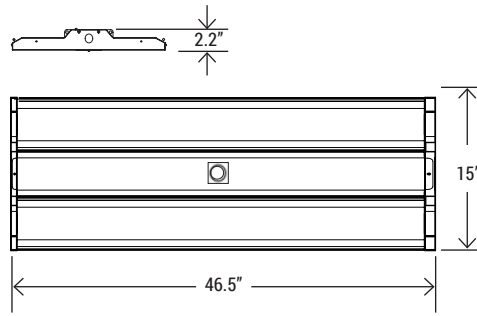
LED Linear High Bay Series

Wattage: 85W, 130W, 170W, 255W, 300W

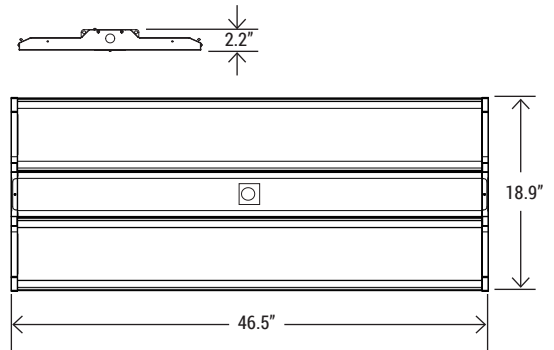
DIMENSION



WATTAGE	85W, 130W, 170W
GR. WEIGHT	10.36 lbs/11.24 lbs
BOX DIM.	25.9" x 15.4" x 2.6"



WATTAGE	255W
GR. WEIGHT	17.9 lbs
BOX DIM.	47.6" x 15.4" x 2.6"



WATTAGE	300W
GR. WEIGHT	19.84 lbs
BOX DIM.	47.6" x 19.3" x 2.6"

EMERGENCY BACK-UP (SOLD SEPARATELY)



BLD-CM20N-480800-15W
15W Emergency Backup Battery LED Driver



BLD-CM20D-480800-20W
20W Emergency Backup Battery LED Driver

CONTROL (SOLD SEPARATELY)



MOTION SENSOR
Bi-level Occupancy/Daylight Harvesting Microwave Motion Sensor (Field installation)



RC
Remote Controller

ORDERING INFORMATION

EXAMPLE:

LHB-2F130W- 27-50K-GEN2

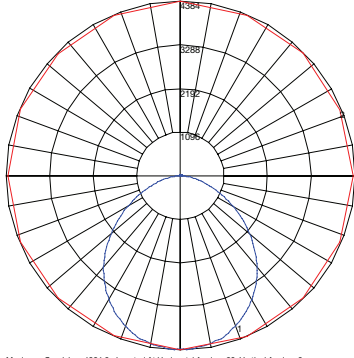
LHB	2F	130W	27	50K	GEN2
PRODUCT	SIZE	WATTAGE	VOLTAGE	CCT	UPDATE
LHB (Linear Hig Bay)	2F (2-foot) 4F (4-foot)	85W - (85W) 130W - (130W) 170W - (170W) 255W - (255W) 300W - (300W)	27 (AC120-277V)	35K - (3500K) 40K - (4000K) 50K - (5000K)	Second generation product

LED Linear High Bay Series

Wattage: 85W, 130W, 170W, 255W, 300W

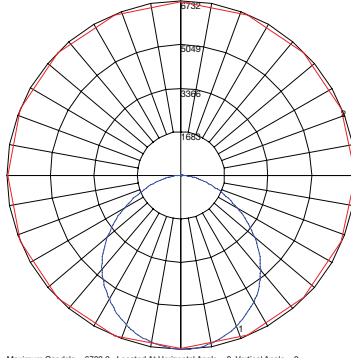
PHOTOMETRICS

LHB2F85W27-50K-GEN2



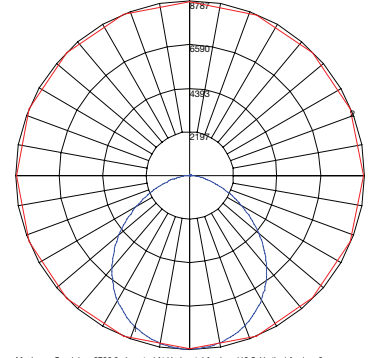
Maximum Candela = 4384.3 Located At Horizontal Angle = 90, Vertical Angle = 2
 # 1 - Vertical Plane Through Horizontal Angles (90 - 270) (Through Max. Cd.)
 # 2 - Horizontal Cone Through Vertical Angle (2) (Through Max. Cd.)

LHB2F130W27-50K-GEN2



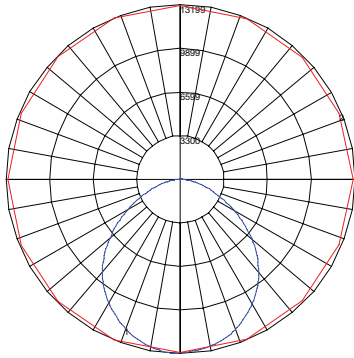
Maximum Candela = 6732.3 Located At Horizontal Angle = 0, Vertical Angle = 2
 # 1 - Vertical Plane Through Horizontal Angles (0 - 180) (Through Max. Cd.)
 # 2 - Horizontal Cone Through Vertical Angle (2) (Through Max. Cd.)

LHB2F170W27-50K-GEN2



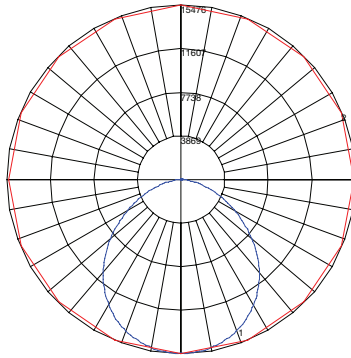
Maximum Candela = 8786.9 Located At Horizontal Angle = 112.5, Vertical Angle = 2
 # 1 - Vertical Plane Through Horizontal Angles (112.5 - 292.5) (Through Max. Cd.)
 # 2 - Horizontal Cone Through Vertical Angle (2) (Through Max. Cd.)

LHB4F255W27-50K-GEN2



Maximum Candela = 13198.8 Located At Horizontal Angle = 112.5, Vertical Angle = 2
 # 1 - Vertical Plane Through Horizontal Angles (112.5 - 292.5) (Through Max. Cd.)
 # 2 - Horizontal Cone Through Vertical Angle (2) (Through Max. Cd.)

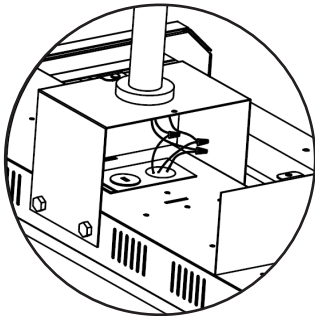
LHB4F300W27-50K-GEN2



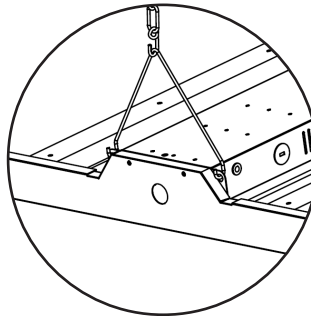
Maximum Candela = 15476.2 Located At Horizontal Angle = 90, Vertical Angle = 2
 # 1 - Vertical Plane Through Horizontal Angles (90 - 270) (Through Max. Cd.)
 # 2 - Horizontal Cone Through Vertical Angle (2) (Through Max. Cd.)

MOUNTING OPTION

INCLUDED IN THE PACKAGE



J-BOX OPTION



CHAINS/HOOK